

# Refocusing & Collimating Fiber/Lens Objectives



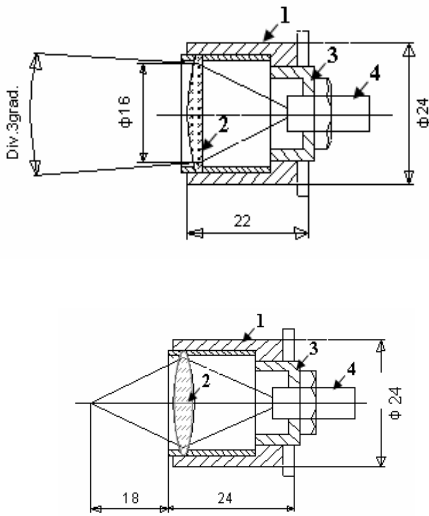
## Features

Compatible with SMA-terminated fiber cables  
 NA=0.35, Pupil diameter 15 mm  
 Refocusing or collimating design

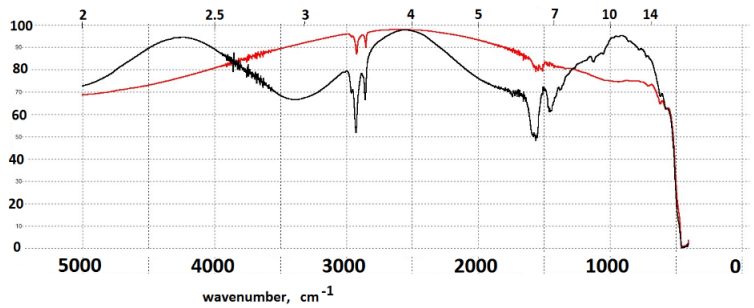
## Applications

Focusing of collimating beam into the fiber  
 Collimation of output beam from fiber  
 Fiber end imagnation to detector / emitter element

**To use with** Polycrystalline fiber cables 4-18 $\mu$ m spectral range or Chalkogenide fiber cables 1-6 $\mu$ m spectral range.



## Transmission spectra of lenses with AR coatings



## Specification of lens objectives\*

Objective Type	Collimating	Refocusing
Optic elements	Plano-convex ZnSe lens 3-5 or 8-12 $\mu$ m AR-coating F=20mm	Double-convex ZnSe lens 3-5 or 8-12 $\mu$ m AR-coating 2F=20mm
Dimensions	Diameter 28 mm Length 25 mm	Diameter 28 mm Length 25 mm
Alignment options	Z-alignment $\pm$ 5mm	Z-alignment $\pm$ 5mm
Other options	FC/PC fiber adaptor on request	FC/PC fiber adaptor on request